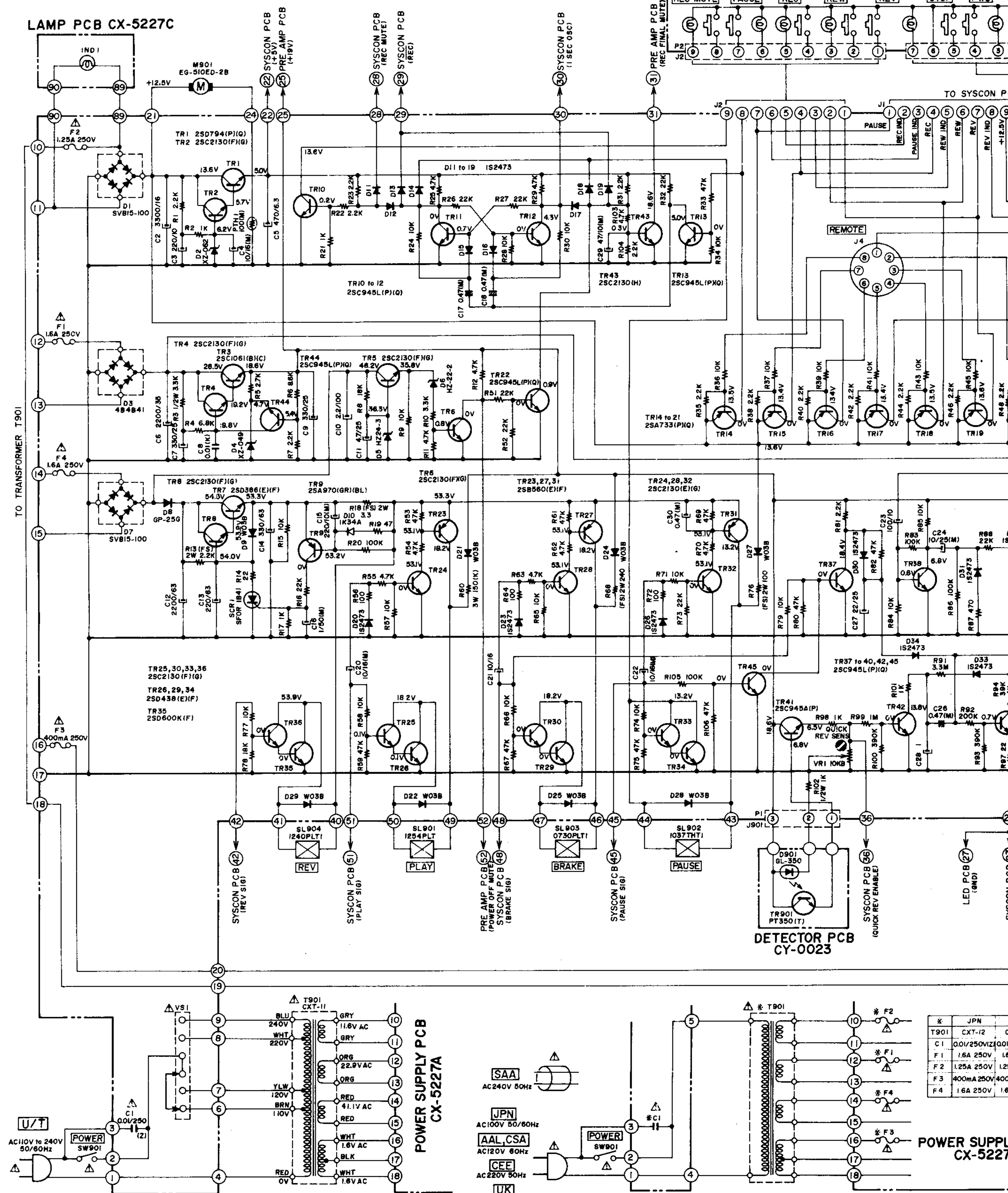


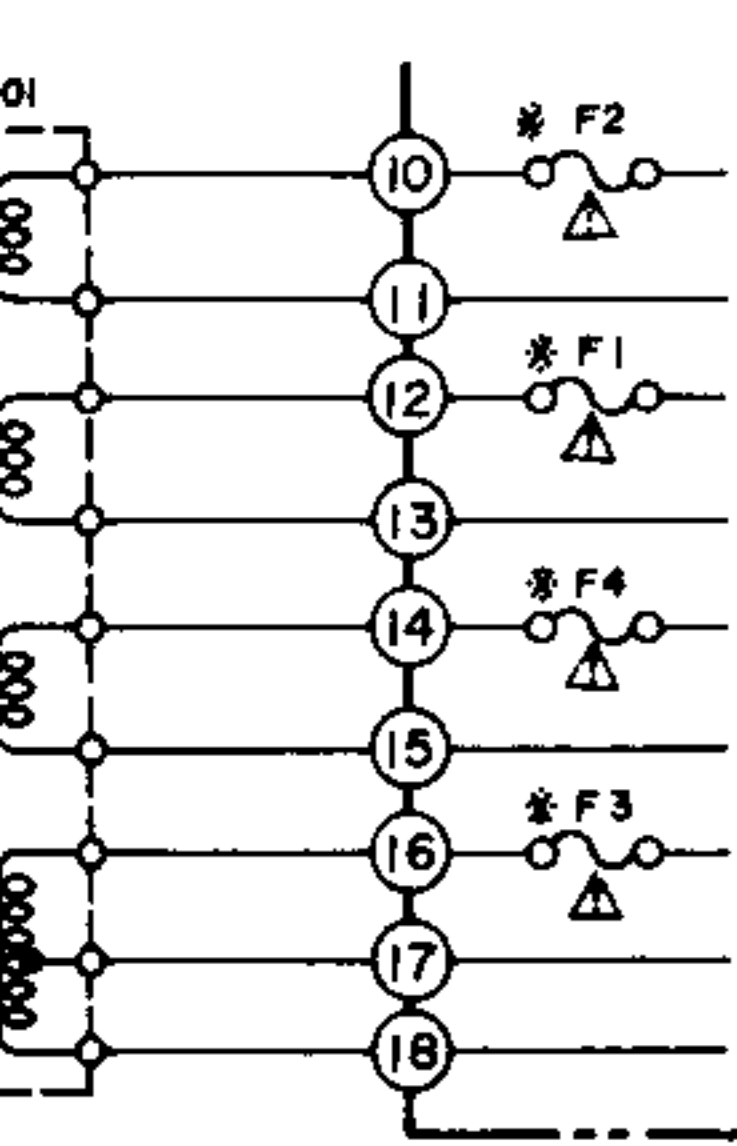
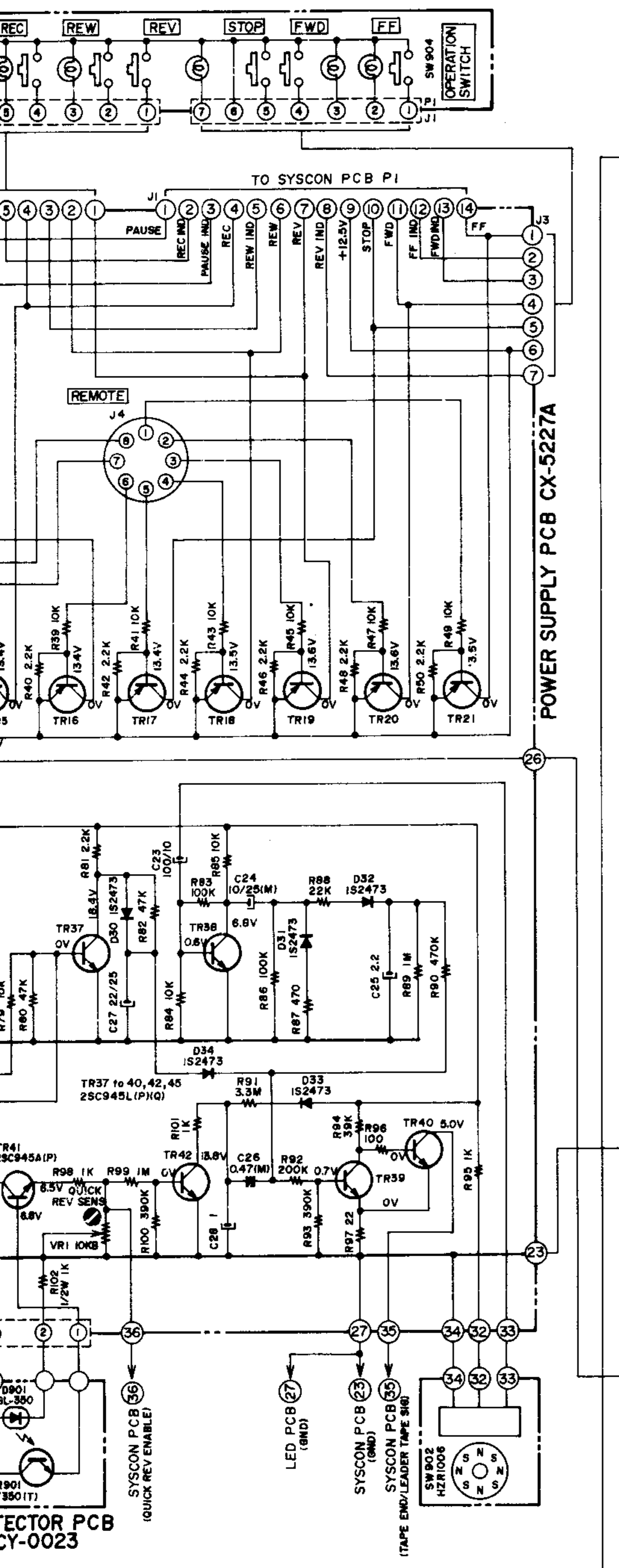
GX-F60R

LAMP PCB CX-5227C



Part No.	Quantity	Part No.	Quantity
* T901	1	CXT-12	1
C1	0.01/250VIZ	0.01	1
F1	1.6A 250V	1.6A	1
F2	1.25A 250V	1.25A	1
F3	400mA 250V/400V	400mA	1
F4	1.6A 250V	1.6A	1

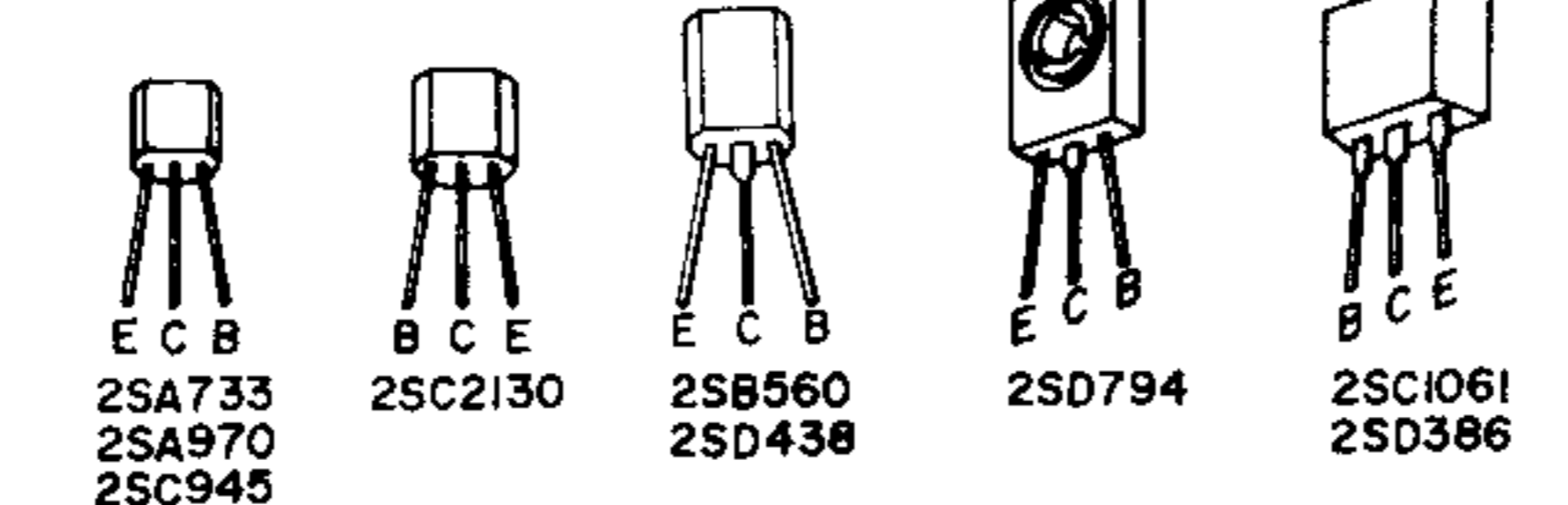
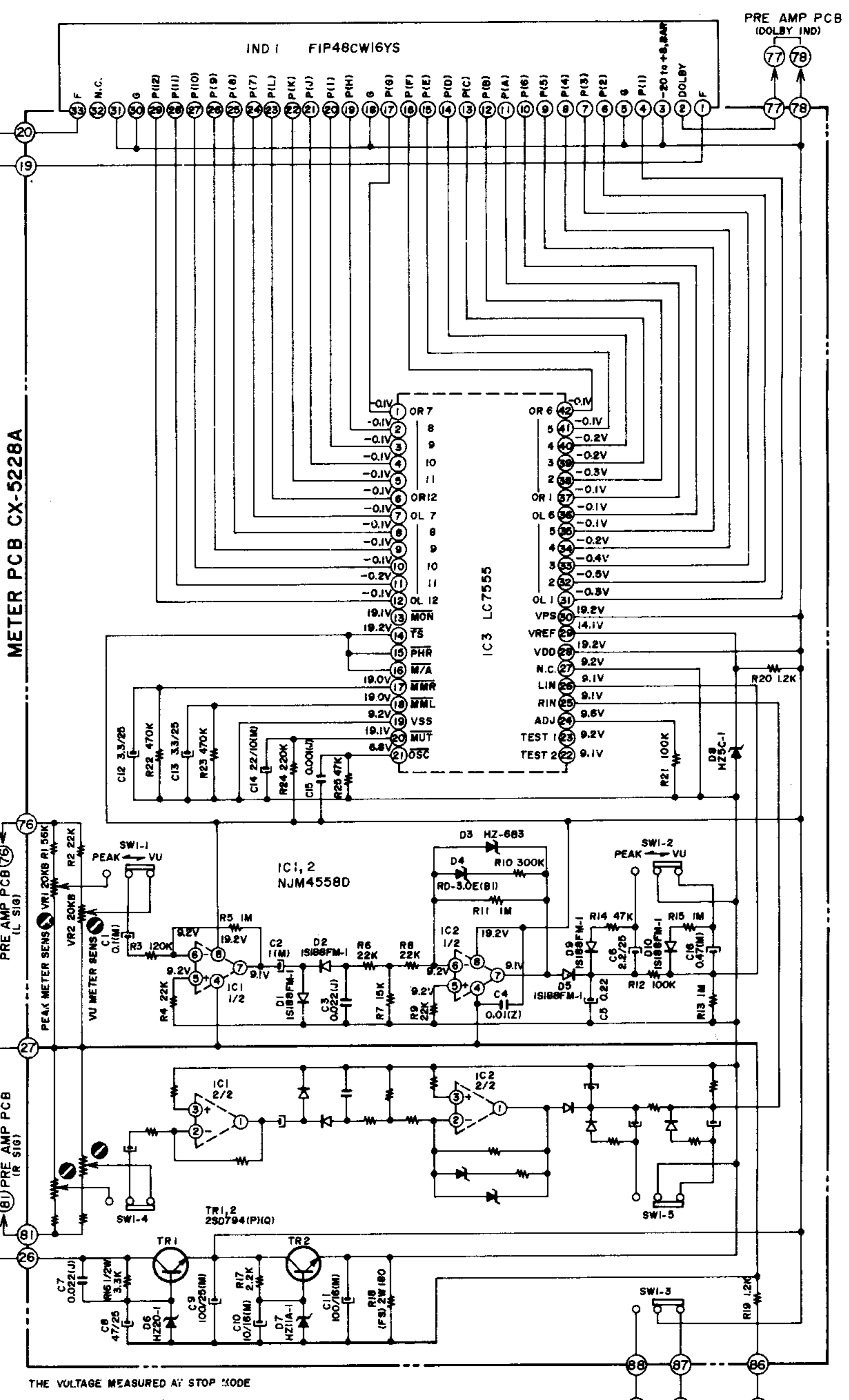
POWER SUPPLY CX-5227A



✖	JPN	CSA	AAL	CEE	UK, SAA
T901	CXT-12	CXT-14	CXT-14	CXT-13	CTX-16
C1	0.01/250V(2)	0.01/125V(P)	0.01/250V(2)	0.0047/250V(M)	0.0047/250V(M)
F1	1.6A 250V	1.6A 125V	1.6A 125V	T1.6A	T1.6A
F2	1.25A 250V	1.25A 125V	1.25A 125V	T1.25A	T1.25A
F3	400mA 250V	400mA 125V	400mA 125V	T400mA	T400mA
F4	1.6A 250V	1.6A 125V	1.6A 125V	T1.6A	T1.6A

POWER SUPPLY PCB CX-5227A

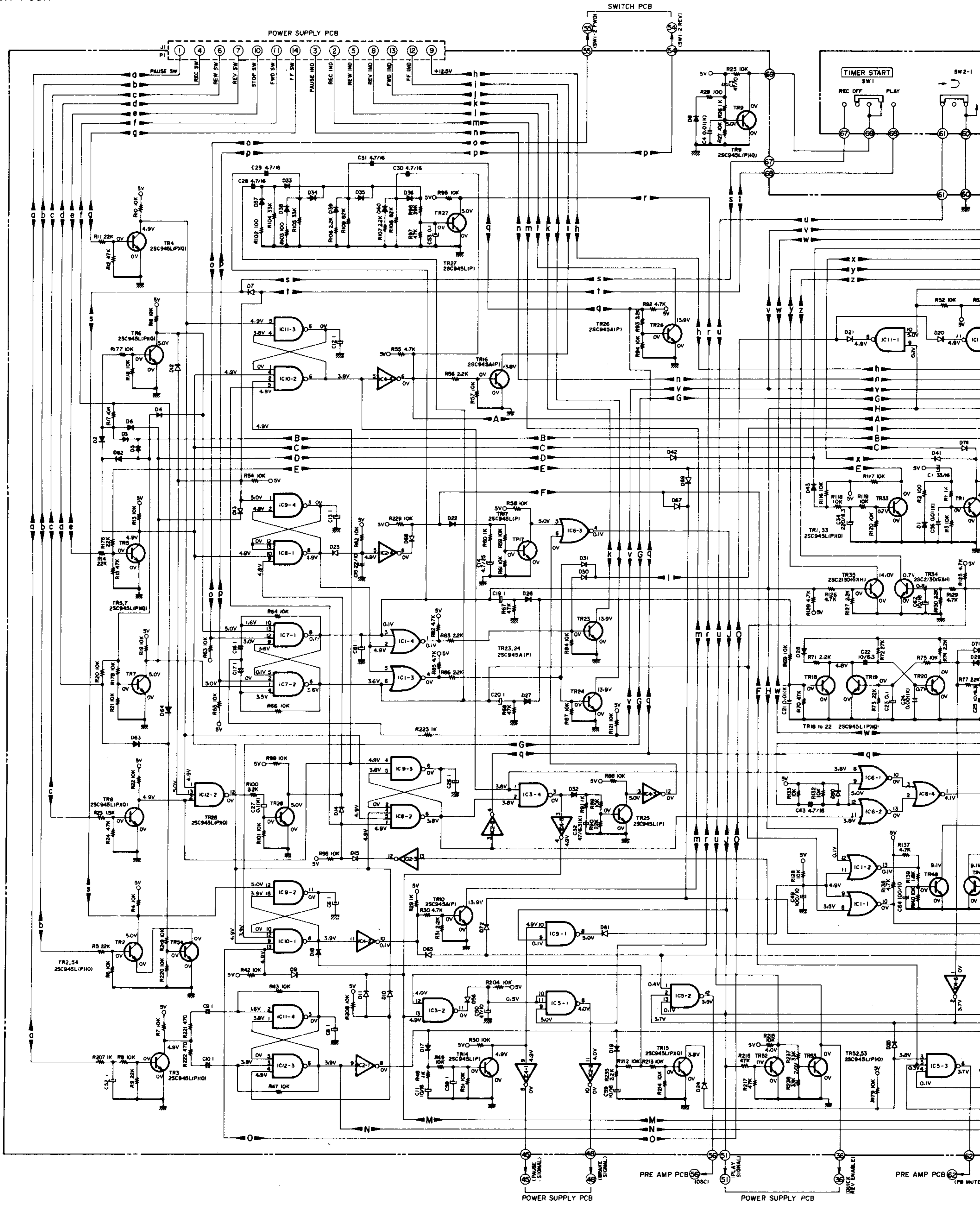
WARNING: ✖ INDICATES SAFETY CRITICAL COMPONENTS. FOR CONTINUED SAFETY, REPLACE SAFETY CRITICAL COMPONENTS ONLY WITH MANUFACTURER'S RECOMMENDED PARTS.
 AVERTISSEMENT: ✖ INDICUE LES COMPOSANTS CRITIQUES DE SURETE. POUR MAINTENIR LE DEGRE DE SECURITE DE L'APPAREIL NE REMPLACER LES COMPOSANTS DONT LE FONCTIONNEMENT EST CRITIQUE POUR LA SECURITE QUE PAR DES PIECES RECOMMANDEES PAR LE FABRICANT



NOTE
 UNLESS OTHERWISE SPECIFIED
 ALL RESISTORS IN OHMS 1/4W (J)
 ALL CAPACITORS IN μ F 50 WV (J)
 (FS) = FAIL SAFE RESISTORS
 (LL) = LOW LEAKAGE CAPACITORS
 — MARK INDICATES NON POLAR CAPACITORS
 POWER TRANSFORMER IS DIFFERENT ACCORDING TO AREA

GX-F60R
 SCHEMATIC DIAGRAM
 No.3-1 1602256A

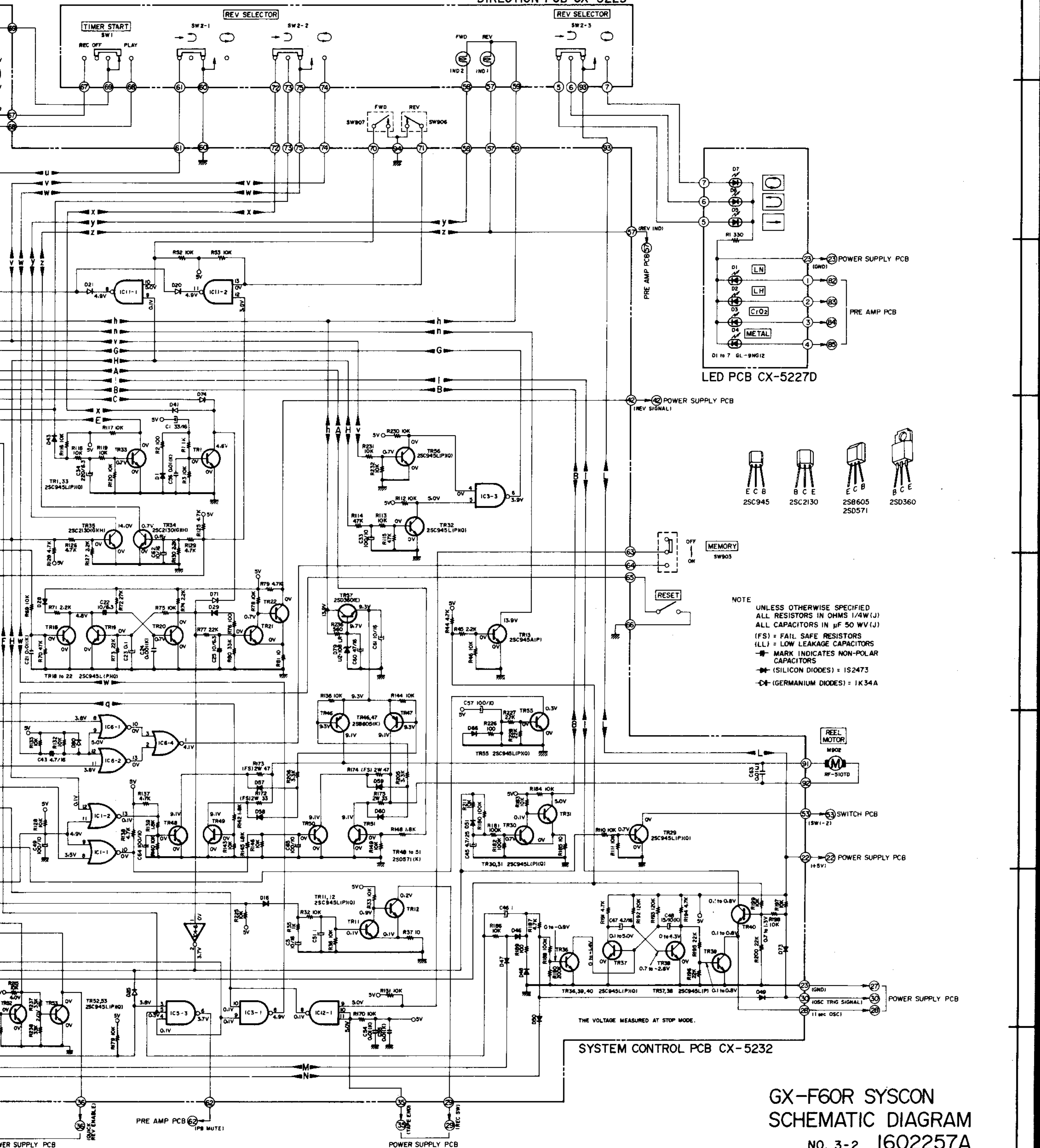
GX-F60R



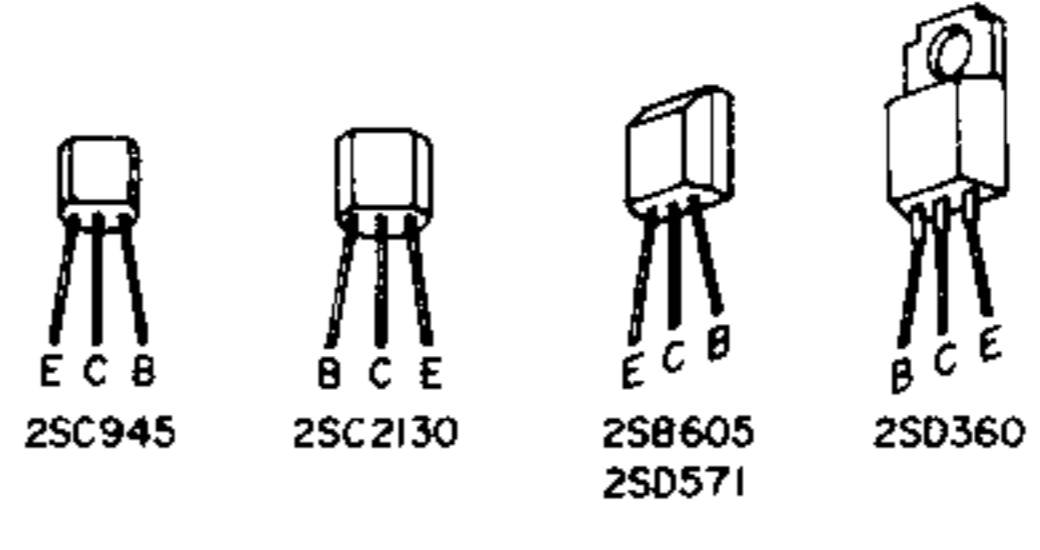
0011380

F G H I J K

DIRECTION PCB CX-5229

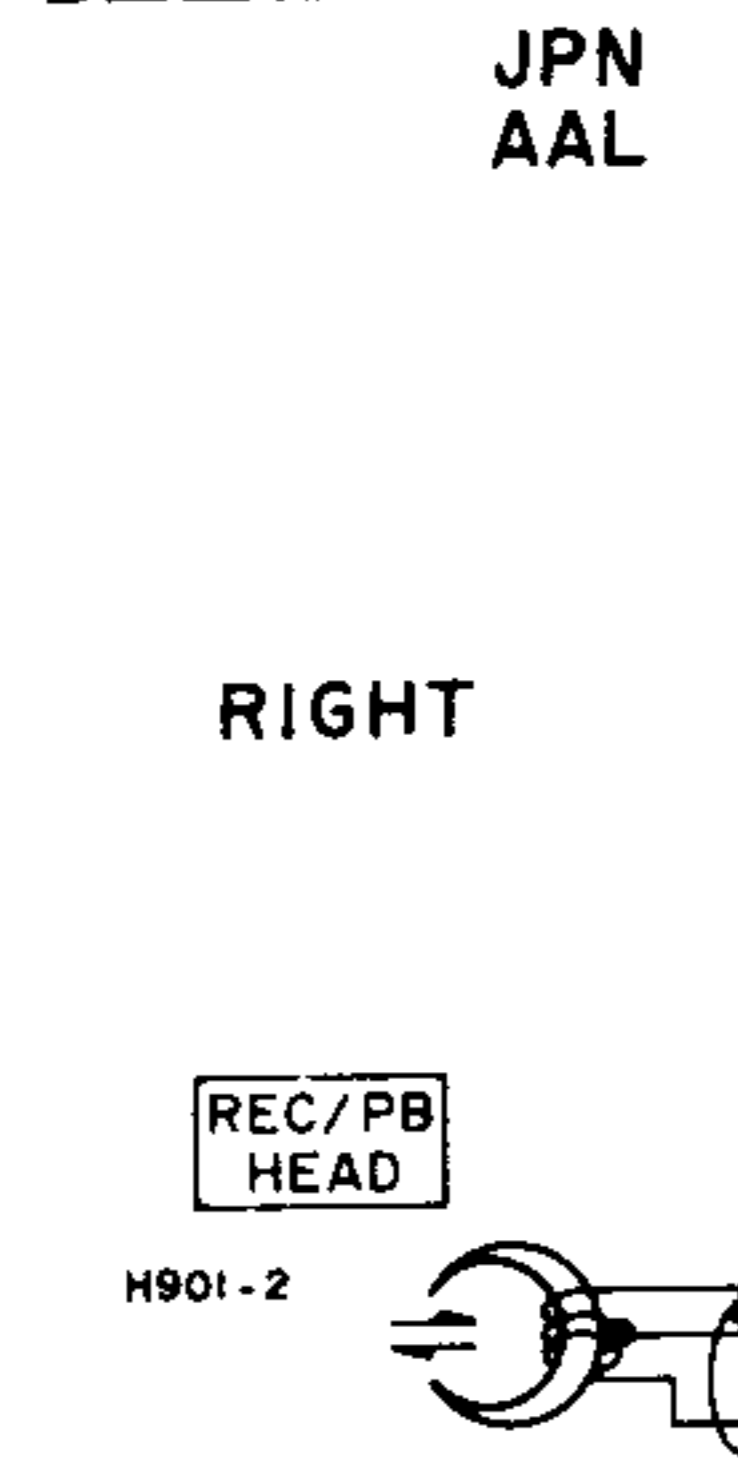
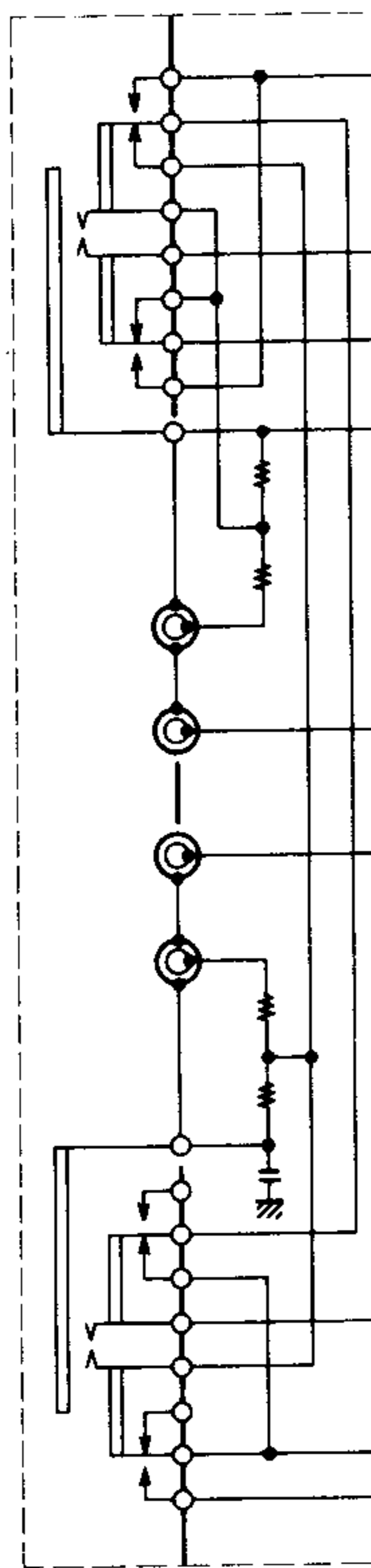
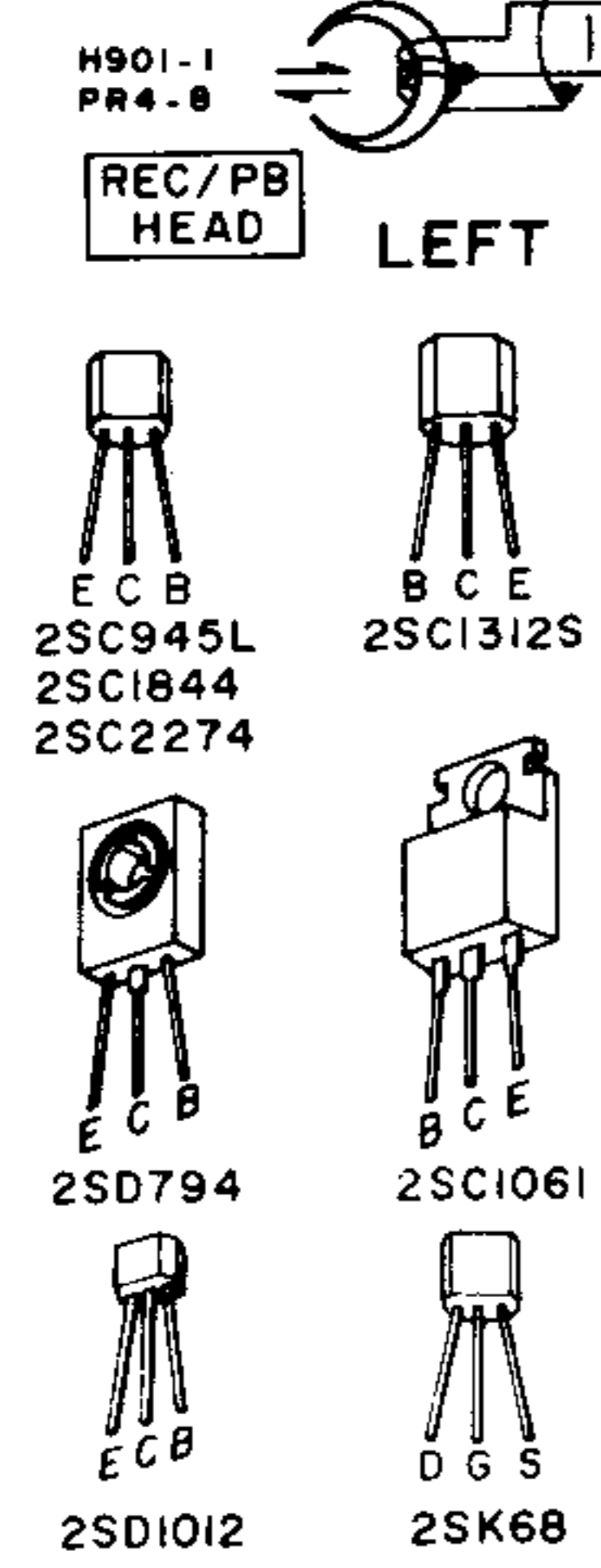
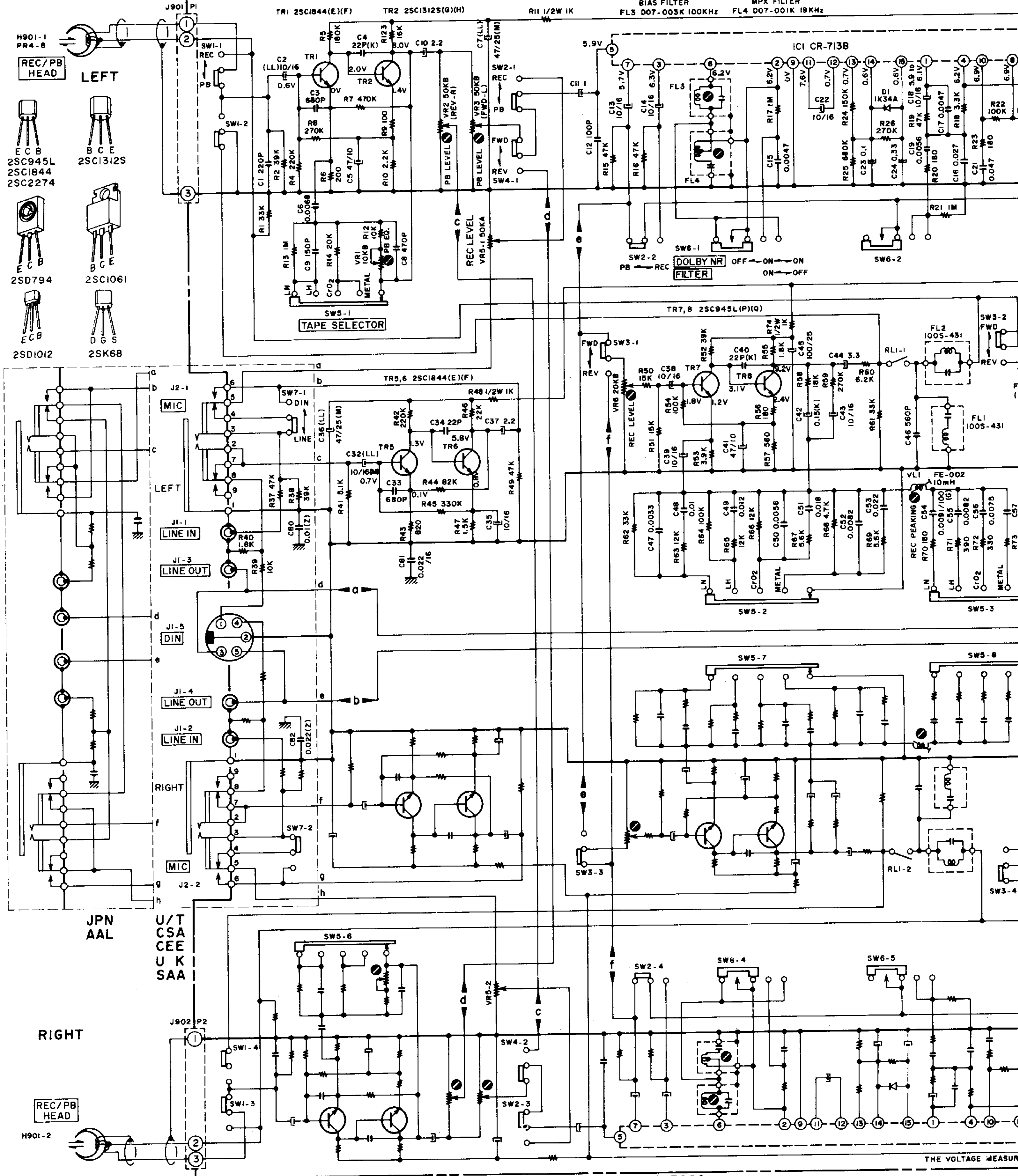


NOTE
 UNLESS OTHERWISE SPECIFIED
 ALL RESISTORS IN OHMS 1/4W(J)
 ALL CAPACITORS IN μF 50 WV(J)
 (FS) = FAIL SAFE RESISTORS
 (LL) = LOW LEAKAGE CAPACITORS
 — MARK INDICATES NON-POLAR CAPACITORS
 — (SILICON DIODES) = 1S2473
 — (GERMANIUM DIODES) = 1K 34A



GX-F60R SYSCON
 SCHEMATIC DIAGRAM
 NO. 3-2 1602257A

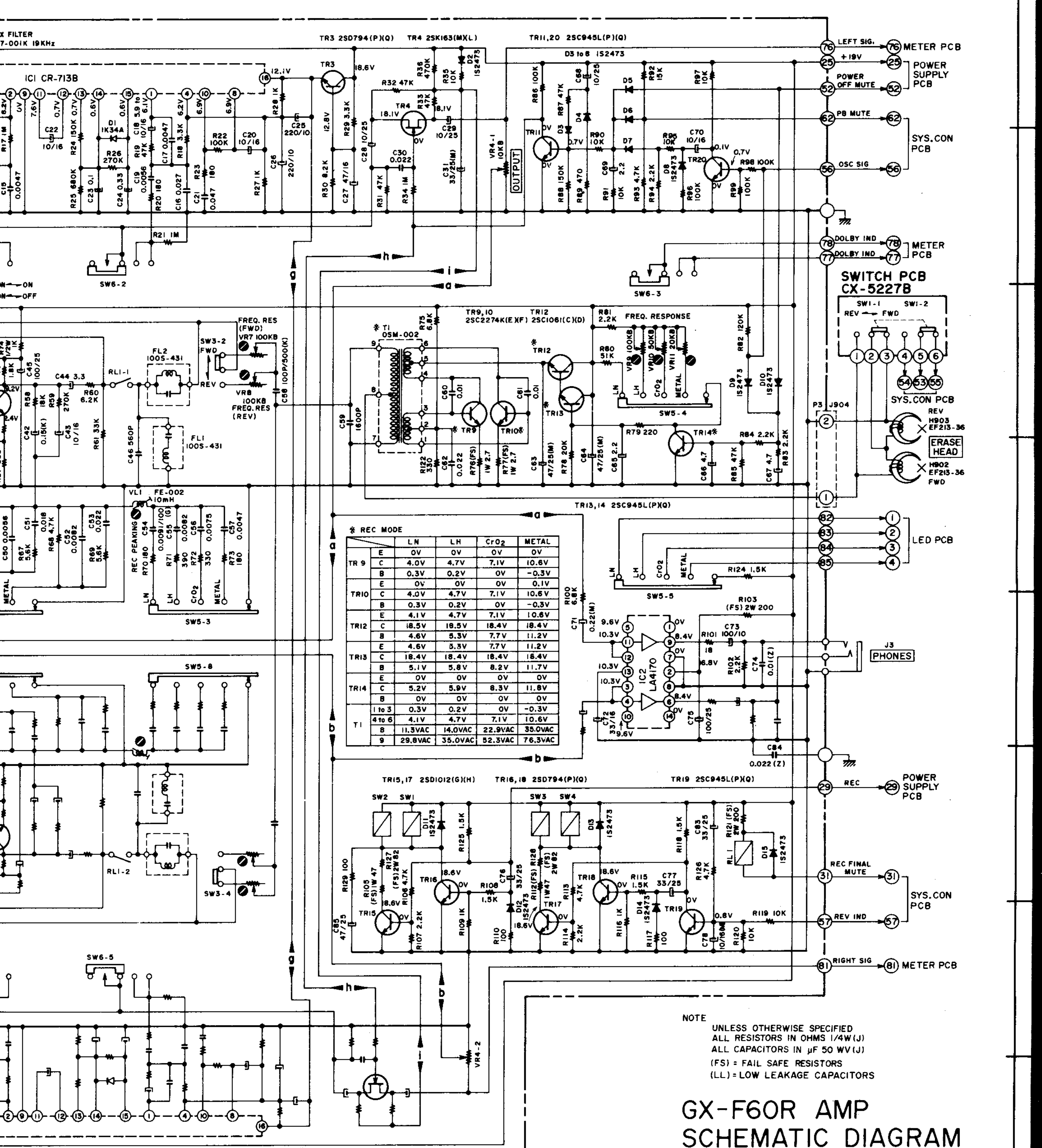
GX-F60R



PRE AMP PCB CX-5226

001139E

THE VOLTAGE MEASURE



NOTE
 UNLESS OTHERWISE SPECIFIED
 ALL RESISTORS IN OHMS 1/4W(J)
 ALL CAPACITORS IN μF 50 WV(J)
 (FS) = FAIL SAFE RESISTORS
 (LL) = LOW LEAKAGE CAPACITORS

GX-F60R AMP SCHEMATIC DIAGRAM NO. 3-3 1602258A